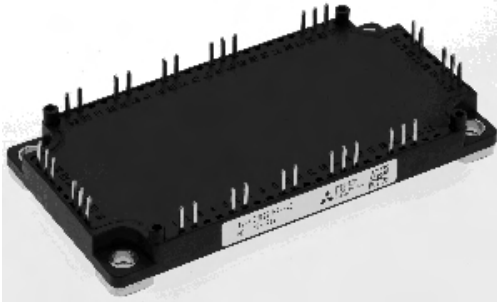


< IGBT MODULES >

# CM100MXA-24S

HIGH POWER SWITCHING USE  
INSULATED TYPE



Collector current  $I_C$  ..... **100 A**  
 Collector-emitter voltage  $V_{CES}$  ..... **1200 V**  
 Maximum junction temperature  $T_{jmax}$  ..... **175 °C**

- Flat base Type
- Copper base plate
- Tin plating pin terminals
- RoHS Directive compliant

**CIB (Converter+Inverter+Chopper Brake)**

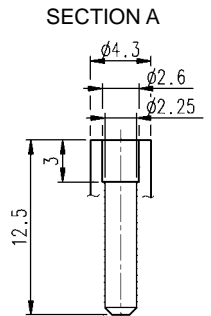
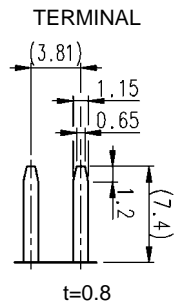
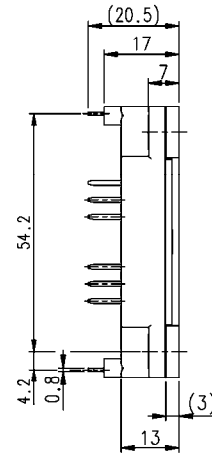
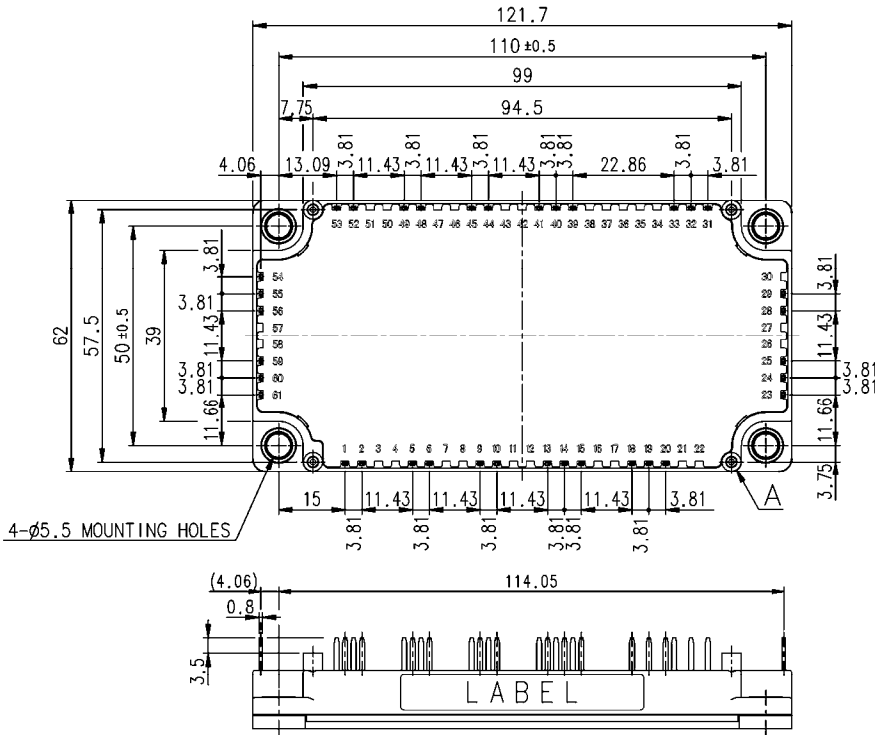
- Recognized under UL1557, File E323585

## APPLICATION

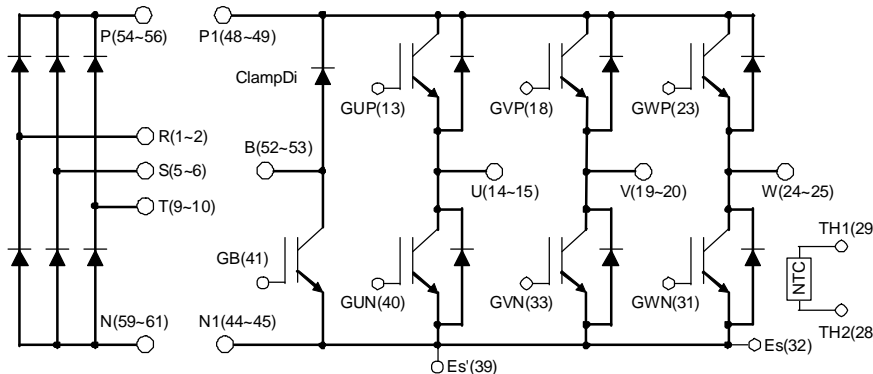
AC Motor Control, Motion/Servo Control, Power supply, etc.

## OUTLINE DRAWING & INTERNAL CONNECTION

Dimension in mm



### INTERNAL CONNECTION



Caution: Each (two or three) pin terminal of P/N/P1/N1/U/V/W/B/R/S/T is connected in the module, but should use all each three pins for the external wiring.

Tolerance otherwise specified

Division of Dimension	Tolerance
0.5 to 3	±0.2
over 3 to 6	±0.3
over 6 to 30	±0.5
over 30 to 120	±0.8
over 120 to 400	±1.2

The tolerance of size between terminals is assumed to be ±0.4.

< IGBT MODULES >

CM100MXA-24S

HIGH POWER SWITCHING USE  
INSULATED TYPE

ABSOLUTE MAXIMUM RATINGS (T<sub>j</sub>=25 °C, unless otherwise specified)

INVERTER PART IGBT/DIODE

Symbol	Item	Conditions	Rating	Unit
V <sub>CES</sub>	Collector-emitter voltage	G-E short-circuited	1200	V
V <sub>GES</sub>	Gate-emitter voltage	C-E short-circuited	± 20	V
I <sub>C</sub>	Collector current	DC, T <sub>C</sub> =119 °C (Note2, 4)	100	A
I <sub>CRM</sub>		Pulse, Repetitive (Note3)	200	
P <sub>tot</sub>	Total power dissipation	T <sub>C</sub> =25 °C (Note2, 4)	750	W
I <sub>E</sub> (Note1)	Emitter current	(Note2)	100	A
I <sub>ERM</sub> (Note1)		Pulse, Repetitive (Note3)	200	
T <sub>jm ax</sub>	Maximum junction temperature	Instantaneous event (overload)	175	°C

BRAKE PART IGBT/DIODE

Symbol	Item	Conditions	Rating	Unit
V <sub>CES</sub>	Collector-emitter voltage	G-E short-circuited	1200	V
V <sub>GES</sub>	Gate-emitter voltage	C-E short-circuited	± 20	V
I <sub>C</sub>	Collector current	DC, T <sub>C</sub> =125 °C (Note2, 4)	50	A
I <sub>CRM</sub>		Pulse, Repetitive (Note3)	100	
P <sub>tot</sub>	Total power dissipation	T <sub>C</sub> =25 °C (Note2, 4)	425	W
V <sub>R RM</sub>	Repetitive peak reverse voltage	G-E short-circuited	1200	V
I <sub>F</sub>	Forward current	(Note2)	50	A
I <sub>FRM</sub>		Pulse, Repetitive (Note3)	100	
T <sub>jm ax</sub>	Maximum junction temperature	Instantaneous event (overload)	175	°C

CONVERTER PART DIODE

Symbol	Item	Conditions	Rating	Unit
V <sub>R RM</sub>	Repetitive peak reverse voltage	-	1600	V
E <sub>a</sub>	Recommended AC input voltage	RMS	440	V
I <sub>O</sub>	DC output current	3-phase full wave rectifying, T <sub>C</sub> =125 °C (Note4)	100	A
I <sub>FSM</sub>	Surge forward current	The sine half wave 1 cycle peak value, f=60 Hz, non-repetitive	1000	A
I <sup>2</sup> t	Current square time	Value for one cycle of surge current	4160	A <sup>2</sup> s
T <sub>jm ax</sub>	Maximum junction temperature	Instantaneous event (overload)	150	°C

MODULE

Symbol	Item	Conditions	Rating	Unit
V <sub>isol</sub>	Isolation voltage	Terminals to base plate, RMS, f=60 Hz, AC 1 min	2500	V
T <sub>C max</sub>	Maximum case temperature	(Note4)	125	°C
T <sub>jo p</sub>	Operating junction temperature	Continuous operation (under switching)	-40 ~ +150	°C
T <sub>st g</sub>	Storage temperature	-	-40 ~ +125	

MECHANICAL CHARACTERISTICS

Symbol	Item	Conditions	Limits			Unit
			Min.	Typ.	Max.	
M <sub>s</sub>	Mounting torque	Mounting to heat sink M 5 screw	2.5	3.0	3.5	N·m
d <sub>s</sub>	Creepage distance	Terminal to terminal	6.47	-	-	mm
		Terminal to base plate	14.27	-	-	
d <sub>a</sub>	Clearance	Terminal to terminal	6.47	-	-	mm
		Terminal to base plate	12.33	-	-	
m	mass	-	-	300	-	g
e <sub>c</sub>	Flatness of base plate	On the centerline X, Y (Note5)	±0	-	+100	µm

< IGBT MODULES >

CM100MXA-24S

HIGH POWER SWITCHING USE  
INSULATED TYPE

ELECTRICAL CHARACTERISTICS (T<sub>j</sub>=25 °C, unless otherwise specified)

INVERTER PART IGBT/DIODE

Symbol	Item	Conditions	Limits			Unit	
			Min.	Typ.	Max.		
I <sub>CES</sub>	Collector-emitter cut-off current	V <sub>CE</sub> =V <sub>CES</sub> , G-E short-circuited	-	-	1.0	mA	
I <sub>GES</sub>	Gate-emitter leakage current	V <sub>GE</sub> =V <sub>GES</sub> , C-E short-circuited	-	-	0.5	μA	
V <sub>GE(th)</sub>	Gate-emitter threshold voltage	I <sub>C</sub> =10 mA, V <sub>CE</sub> =10 V	5.4	6.0	6.6	V	
V <sub>CEsat</sub>	Collector-emitter saturation voltage	I <sub>C</sub> =100 A <sup>(Note6)</sup> , V <sub>GE</sub> =15 V, (Terminal)	T <sub>j</sub> =25 °C	-	1.80	2.25	V
			T <sub>j</sub> =125 °C	-	2.00	-	
			T <sub>j</sub> =150 °C	-	2.05	-	
		I <sub>C</sub> =100 A <sup>(Note6)</sup> , V <sub>GE</sub> =15 V, (Chip)	T <sub>j</sub> =25 °C	-	1.70	2.15	V
			T <sub>j</sub> =125 °C	-	1.90	-	
			T <sub>j</sub> =150 °C	-	1.95	-	
C <sub>ies</sub>	Input capacitance	V <sub>CE</sub> =10 V, G-E short-circuited	-	-	10	nF	
C <sub>oes</sub>	Output capacitance		-	-	2.0		
C <sub>res</sub>	Reverse transfer capacitance		-	-	0.17		
Q <sub>G</sub>	Gate charge	V <sub>CC</sub> =600 V, I <sub>C</sub> =100 A, V <sub>GE</sub> =15 V	-	233	-	nC	
t <sub>d(on)</sub>	Turn-on delay time	V <sub>CC</sub> =600 V, I <sub>C</sub> =100 A, V <sub>GE</sub> =±15 V, R <sub>G</sub> =6.2 Ω, Inductive load	-	-	300	ns	
t <sub>r</sub>	Rise time		-	-	200		
t <sub>d(off)</sub>	Turn-off delay time		-	-	600		
t <sub>f</sub>	Fall time		-	-	300		
V <sub>EC</sub> <sup>(Note1)</sup>	Emitter-collector voltage	I <sub>E</sub> =100 A <sup>(Note6)</sup> , G-E short-circuited, (Terminal)	T <sub>j</sub> =25 °C	-	1.80	2.25	V
			T <sub>j</sub> =125 °C	-	1.80	-	
			T <sub>j</sub> =150 °C	-	1.80	-	
		I <sub>E</sub> =100 A <sup>(Note6)</sup> , G-E short-circuited, (Chip)	T <sub>j</sub> =25 °C	-	1.70	2.15	V
			T <sub>j</sub> =125 °C	-	1.70	-	
			T <sub>j</sub> =150 °C	-	1.70	-	
t <sub>rr</sub> <sup>(Note1)</sup>	Reverse recovery time	V <sub>CC</sub> =600 V, I <sub>E</sub> =100 A, V <sub>GE</sub> =±15 V, R <sub>G</sub> =6.2 Ω, Inductive load	-	-	300	ns	
Q <sub>rr</sub> <sup>(Note1)</sup>	Reverse recovery charge	R <sub>G</sub> =6.2 Ω, Inductive load	-	5.3	-	μC	
E <sub>on</sub>	Turn-on switching energy per pulse	V <sub>CC</sub> =600 V, I <sub>C</sub> =I <sub>E</sub> =100 A, V <sub>GE</sub> =±15 V, R <sub>G</sub> =6.2 Ω, T <sub>j</sub> =150 °C, Inductive load	-	8.6	-	mJ	
E <sub>off</sub>	Turn-off switching energy per pulse		-	10.7	-		
E <sub>rr</sub> <sup>(Note1)</sup>	Reverse recovery energy per pulse		-	10.2	-		
R <sub>CC+EE'</sub>	Internal lead resistance	Main terminals-chip, per switch, T <sub>C</sub> =25 °C <sup>(Note4)</sup>	-	-	3.5	mΩ	
r <sub>g</sub>	Internal gate resistance	Per switch	-	0	-	Ω	

BRAKE PART IGBT/DIODE

Symbol	Item	Conditions	Limits			Unit	
			Min.	Typ.	Max.		
I <sub>CES</sub>	Collector-emitter cut-off current	V <sub>CE</sub> =V <sub>CES</sub> , G-E short-circuited	-	-	1.0	mA	
I <sub>GES</sub>	Gate-emitter leakage current	V <sub>GE</sub> =V <sub>GES</sub> , C-E short-circuited	-	-	0.5	μA	
V <sub>GE(th)</sub>	Gate-emitter threshold voltage	I <sub>C</sub> =5 mA, V <sub>CE</sub> =10 V	5.4	6.0	6.6	V	
V <sub>CEsat</sub>	Collector-emitter saturation voltage	I <sub>C</sub> =50 A <sup>(Note6)</sup> , V <sub>GE</sub> =15 V, (Terminal)	T <sub>j</sub> =25 °C	-	1.80	2.25	V
			T <sub>j</sub> =125 °C	-	2.00	-	
			T <sub>j</sub> =150 °C	-	2.05	-	
		I <sub>C</sub> =50 A <sup>(Note6)</sup> , V <sub>GE</sub> =15 V, (Chip)	T <sub>j</sub> =25 °C	-	1.70	2.15	V
			T <sub>j</sub> =125 °C	-	1.90	-	
			T <sub>j</sub> =150 °C	-	1.95	-	
C <sub>ies</sub>	Input capacitance	V <sub>CE</sub> =10 V, G-E short-circuited	-	-	5.0	nF	
C <sub>oes</sub>	Output capacitance		-	-	1.0		
C <sub>res</sub>	Reverse transfer capacitance		-	-	0.08		
Q <sub>G</sub>	Gate charge	V <sub>CC</sub> =600 V, I <sub>C</sub> =50 A, V <sub>GE</sub> =15 V	-	117	-	nC	

< IGBT MODULES >

CM100MXA-24S

HIGH POWER SWITCHING USE  
INSULATED TYPE

ELECTRICAL CHARACTERISTICS (cont.; T<sub>j</sub>=25 °C, unless otherwise specified)

BRAKE PART IGBT/DIODE

Symbol	Item	Conditions	Limits			Unit	
			Min.	Typ.	Max.		
t <sub>d(on)</sub>	Turn-on delay time	V <sub>CC</sub> =600 V, I <sub>C</sub> =50 A, V <sub>GE</sub> =±15 V, R <sub>G</sub> =13 Ω, Inductive load	-	-	300	ns	
t <sub>r</sub>	Rise time		-	-	200		
t <sub>d(off)</sub>	Turn-off delay time		-	-	600		
t <sub>f</sub>	Fall time		-	-	300		
I <sub>RRM</sub>	Reverse current	V <sub>R</sub> =V <sub>RRM</sub> , G-E short-circuited	-	-	1.0	mA	
V <sub>F</sub>	Forward voltage	I <sub>F</sub> =50 A <sup>(Note6)</sup> , G-E short-circuited, (Terminal)	T <sub>j</sub> =25 °C	-	1.80	2.25	V
			T <sub>j</sub> =125 °C	-	1.80	-	
			T <sub>j</sub> =150 °C	-	1.80	-	
		I <sub>F</sub> =50 A <sup>(Note6)</sup> , G-E short-circuited, (Chip)	T <sub>j</sub> =25 °C	-	1.70	2.15	V
			T <sub>j</sub> =125 °C	-	1.70	-	
			T <sub>j</sub> =150 °C	-	1.70	-	
t <sub>rr</sub>	Reverse recovery time	V <sub>CC</sub> =600 V, I <sub>F</sub> =50 A, V <sub>GE</sub> =±15 V, R <sub>G</sub> =13 Ω, Inductive load	-	-	300	ns	
Q <sub>rr</sub>	Reverse recovery charge	R <sub>G</sub> =13 Ω, Inductive load	-	2.7	-	μC	
E <sub>on</sub>	Turn-on switching energy per pulse	V <sub>CC</sub> =600 V, I <sub>C</sub> =I <sub>F</sub> =50 A,	-	5.5	-	mJ	
E <sub>off</sub>	Turn-off switching energy per pulse	V <sub>GE</sub> =±15 V, R <sub>G</sub> =13 Ω, T <sub>j</sub> =150 °C,	-	5.3	-		
E <sub>rr</sub>	Reverse recovery energy per pulse	Inductive load	-	4.5	-		
r <sub>g</sub>	Internal gate resistance	-	-	0	-	Ω	

CONVERTER PART DIODE

Symbol	Item	Conditions	Limits			Unit
			Min.	Typ.	Max.	
I <sub>RRM</sub>	Repetitive peak reverse current	V <sub>R</sub> =V <sub>RRM</sub> , T <sub>j</sub> =150 °C	-	-	20	mA
V <sub>F</sub> (Terminal)	Forward voltage	I <sub>F</sub> =100 A <sup>(Note6)</sup>	-	1.28	1.8	V

NTC THERMISTOR PART

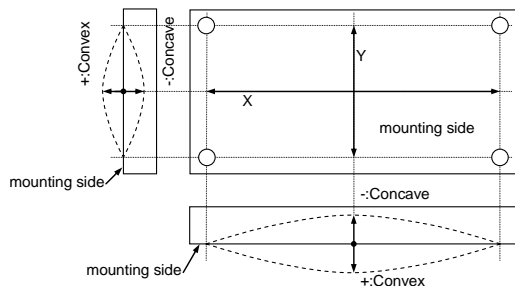
Symbol	Item	Conditions	Limits			Unit
			Min.	Typ.	Max.	
R <sub>25</sub>	Zero-power resistance	T <sub>C</sub> =25 °C <sup>(Note4)</sup>	4.85	5.00	5.15	kΩ
ΔR/R	Deviation of resistance	R <sub>100</sub> =493 Ω, T <sub>C</sub> =100 °C <sup>(Note4)</sup>	-7.3	-	+7.8	%
B <sub>(25/50)</sub>	B-constant	Approximate by equation <sup>(Note7)</sup>	-	3375	-	K
P <sub>25</sub>	Power dissipation	T <sub>C</sub> =25 °C <sup>(Note4)</sup>	-	-	10	mW

THERMAL RESISTANCE CHARACTERISTICS

Symbol	Item	Conditions	Limits			Unit
			Min.	Typ.	Max.	
R <sub>th(j-c)Q</sub>	Thermal resistance <sup>(Note4)</sup>	Junction to case, per Inverter IGBT	-	-	0.20	K/W
R <sub>th(j-c)D</sub>		Junction to case, per Inverter DIODE	-	-	0.29	
R <sub>th(j-c)Q</sub>		Junction to case, per Brake IGBT	-	-	0.35	K/W
R <sub>th(j-c)D</sub>		Junction to case, per Brake DIODE	-	-	0.63	
R <sub>th(j-c)D</sub>		Junction to case, per Converter DIODE	-	-	0.24	K/W
R <sub>th(c-s)</sub>	Contact thermal resistance <sup>(Note4)</sup>	Case to heat sink, per 1 module, Thermal grease applied <sup>(Note8)</sup>	-	15	-	K/kW

< IGBT MODULES >  
**CM100MXA-24S**  
**HIGH POWER SWITCHING USE**  
**INSULATED TYPE**

- Note1. Represent ratings and characteristics of the anti-parallel, emitter-collector free wheeling diode (FWDi).
- Junction temperature ( $T_j$ ) should not increase beyond  $T_{jmax}$  rating.
  - Pulse width and repetition rate should be such that the device junction temperature ( $T_j$ ) dose not exceed  $T_{jmax}$  rating.
  - Case temperature ( $T_c$ ) and heat sink temperature ( $T_s$ ) are defined on the each surface (mounting side) of base plate and heat sink just under the chips. Refer to the figure of chip location.
  - The base plate (mounting side) flatness measurement points (X, Y) are as follows of the following figure.



- Pulse width and repetition rate should be such as to cause negligible temperature rise. Refer to the figure of test circuit.

$$7. B_{(25/50)} = \ln\left(\frac{R_{25}}{R_{50}}\right) / \left(\frac{1}{T_{25}} - \frac{1}{T_{50}}\right),$$

$R_{25}$ : resistance at absolute temperature  $T_{25}$  [K];  $T_{25}=25 [^{\circ}\text{C}]+273.15=298.15$  [K]

$R_{50}$ : resistance at absolute temperature  $T_{50}$  [K];  $T_{50}=50 [^{\circ}\text{C}]+273.15=323.15$  [K]

- Typical value is measured by using thermally conductive grease of  $\lambda=0.9$  W/(m·K).
- Use the following screws when mounting the printed circuit board (PCB) on the stand offs.  
 "φ2.6×10 or φ2.6×12 self tapping screw"  
 The length of the screw depends on the thickness (t1.6~t2.0) of the PCB.

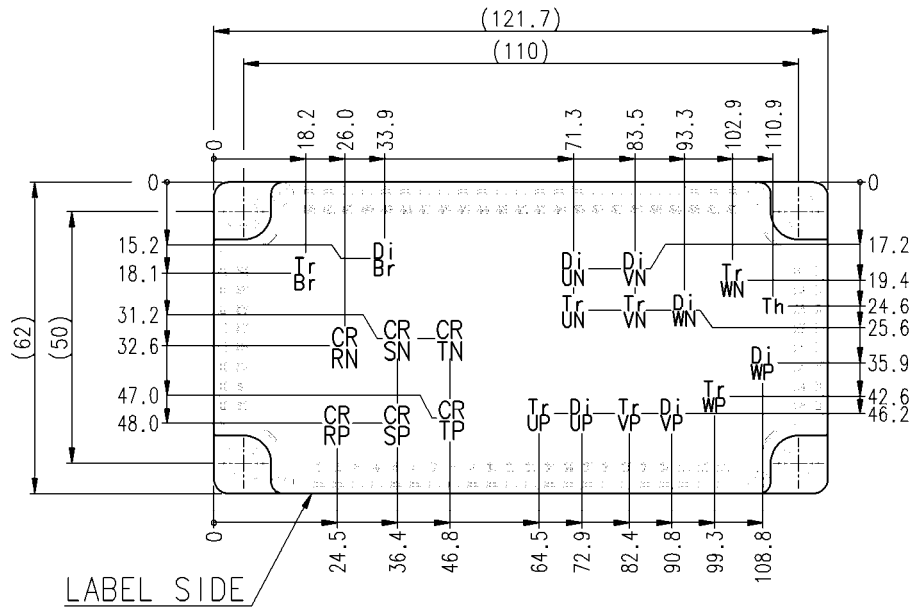
**RECOMMENDED OPERATING CONDITIONS**

Symbol	Item	Conditions	Limits			Unit
			Min.	Typ.	Max.	
$V_{CC}$	(DC) Supply voltage	Applied across P-N/P1-N1 terminals	-	600	850	V
$V_{GEon}$	Gate (-emitter drive) voltage	Applied across GB-Es/ G*P-*/G*N-Es(*=U, V, W) terminals	13.5	15.0	16.5	V
$R_G$	External gate resistance	Per switch				Ω
		Inverter IGBT	6.2	-	62	
		Brake IGBT	13	-	130	

< IGBT MODULES >  
**CM100MXA-24S**  
 HIGH POWER SWITCHING USE  
 INSULATED TYPE

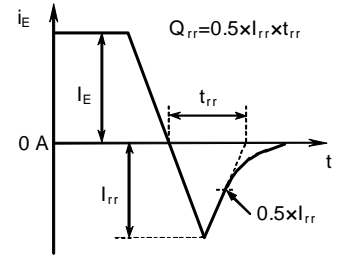
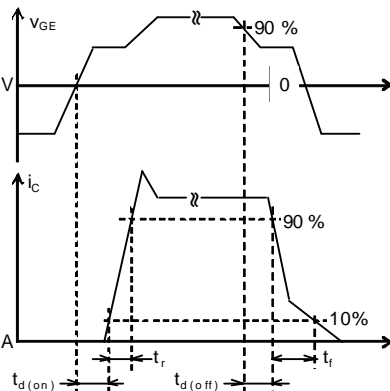
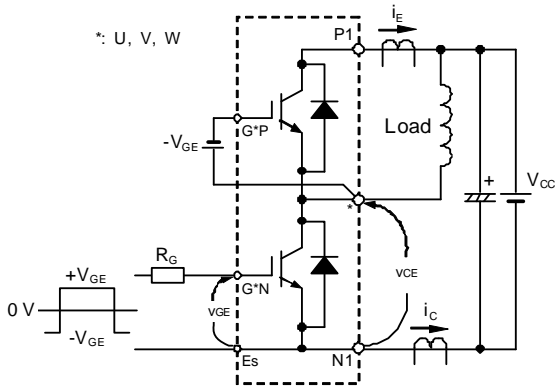
CHIP LOCATION (Top view)

Dimension in mm, tolerance: ±1 mm



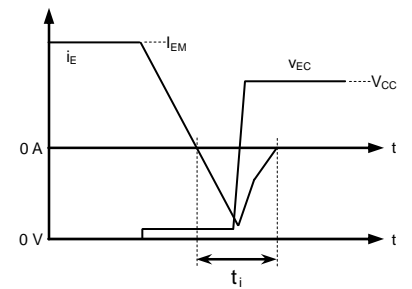
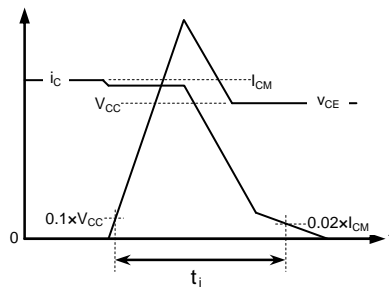
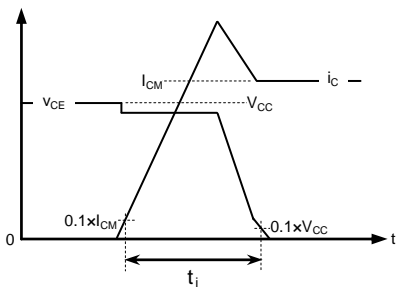
Tr\*P/Tr\*N/Tr\*Br: IGBT, Di\*P/Di\*N: DIODE (\*=U/V/W), Di\*Br: BRAKE DIODE, CR\*P/CR\*N: CONVERTER DIODE (\*=R/S/T), Th: NTC thermistor

**TEST CIRCUIT AND WAVEFORMS**



Switching characteristics test circuit and waveforms

$t_{rr}$ ,  $Q_{rr}$  test waveform



IGBT Turn-on switching energy

IGBT Turn-off switching energy

DIODE Reverse recovery energy

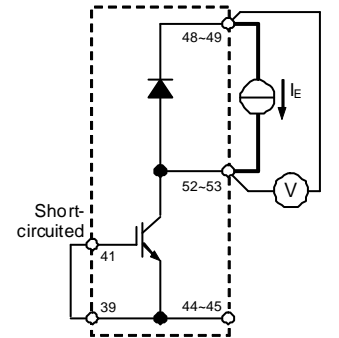
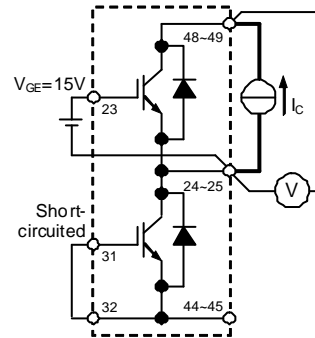
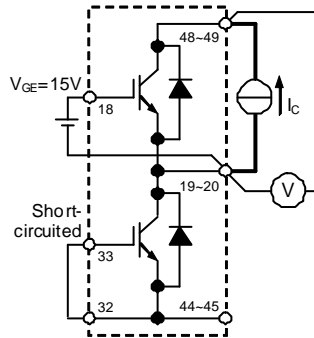
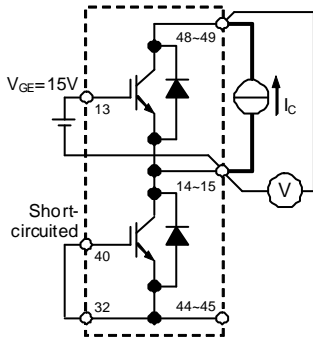
Turn-on / Turn-off switching energy and Reverse recovery energy test waveforms (Integral time instruction drawing)

< IGBT MODULES >

CM100MXA-24S

HIGH POWER SWITCHING USE  
INSULATED TYPE

TEST CIRCUIT



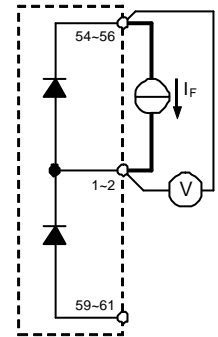
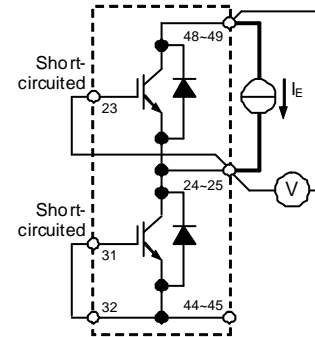
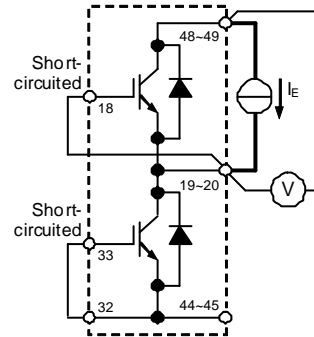
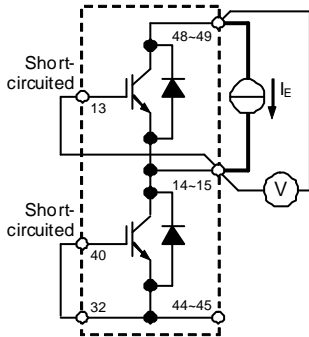
G-E short-circuited  
UP / UN IGBT

G-E short-circuited  
VP / VN IGBT

G-E short-circuited  
WP / WN IGBT

G-E short-circuited  
Brake IGBT / DIODE

**V<sub>CEsat</sub> / BRAKE DIODE V<sub>F</sub> test circuit**



G-E short-circuited  
UP / UN DIODE

G-E short-circuited  
VP / VN DIODE

G-E short-circuited  
WP / WN DIODE

CONVERTER DIODE (ex. phase-R)

**V<sub>EC</sub> / CONVERTER DIODE V<sub>F</sub> test circuit**

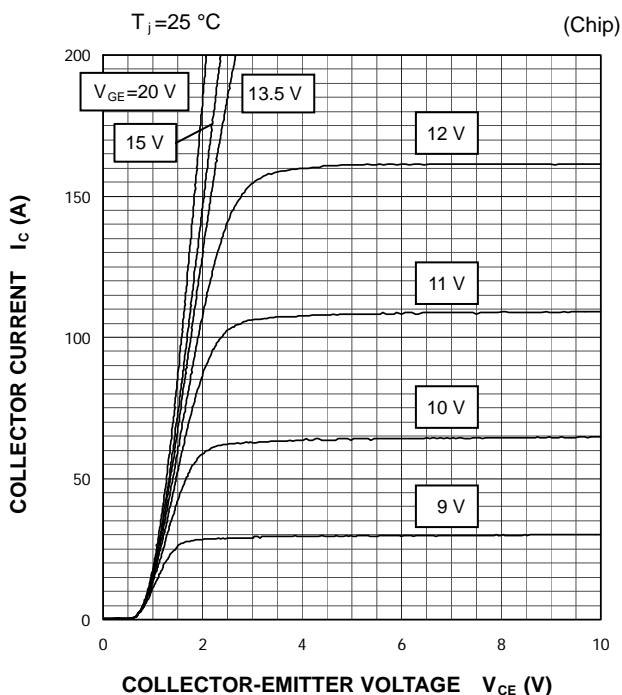
\* In the above test circuit, should use all three main pin terminals (P1/N1/P/N/U/V/W) for connection with the terminals and the current source.

< IGBT MODULES >  
**CM100MXA-24S**  
 HIGH POWER SWITCHING USE  
 INSULATED TYPE

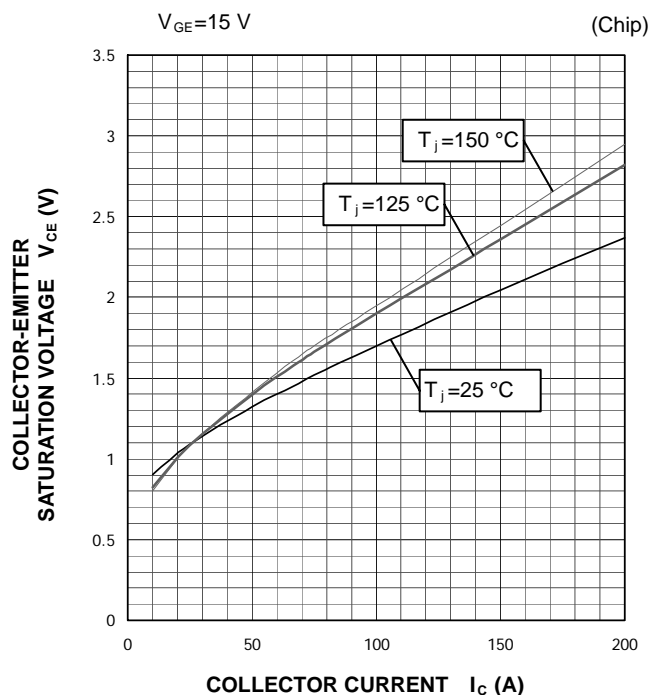
**PERFORMANCE CURVES**

**INVERTER PART**

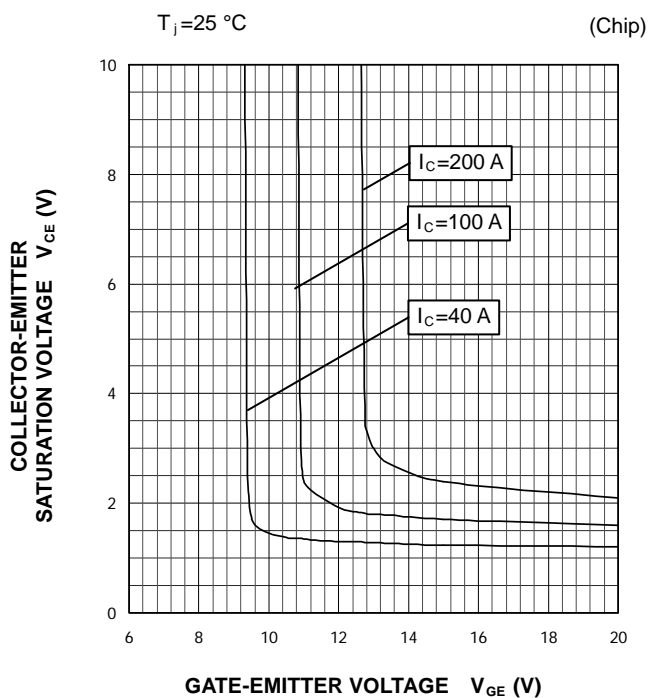
**OUTPUT CHARACTERISTICS (TYPICAL)**



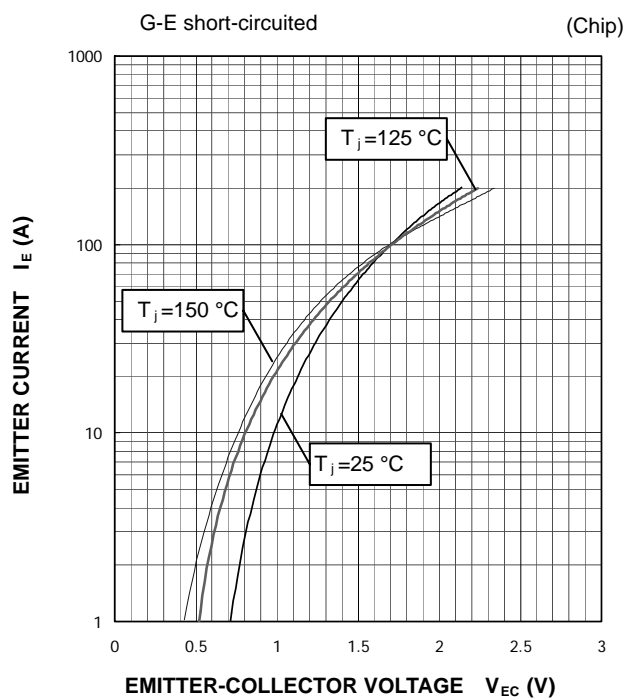
**COLLECTOR-EMITTER SATURATION VOLTAGE CHARACTERISTICS (TYPICAL)**



**COLLECTOR-EMITTER SATURATION VOLTAGE CHARACTERISTICS (TYPICAL)**



**FREE WHEELING DIODE FORWARD CHARACTERISTICS (TYPICAL)**



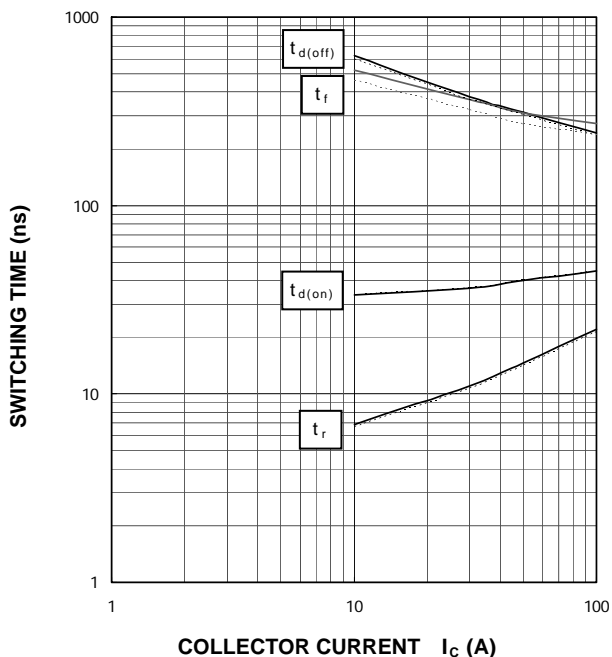


PERFORMANCE CURVES

INVERTER PART

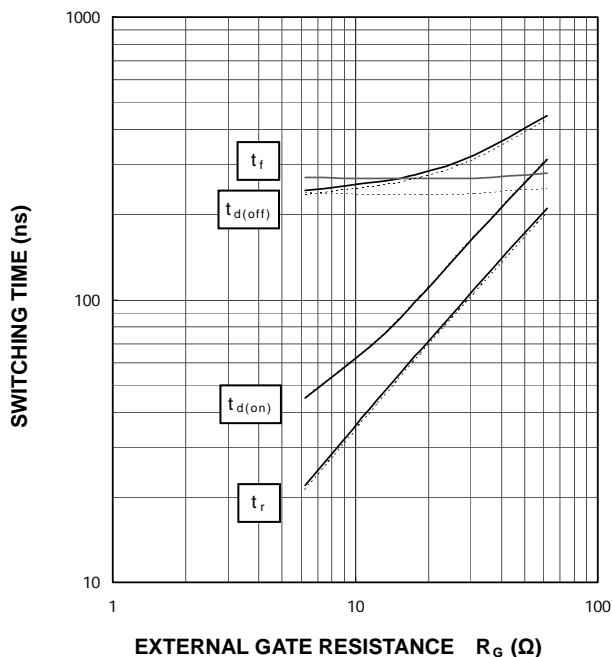
HALF-BRIDGE  
SWITCHING CHARACTERISTICS  
(TYPICAL)

$V_{CC}=600\text{ V}$ ,  $V_{GE}=\pm 15\text{ V}$ ,  $R_G=6.2\ \Omega$ , INDUCTIVE LOAD  
—:  $T_j=150\text{ }^\circ\text{C}$ , - - - -:  $T_j=125\text{ }^\circ\text{C}$



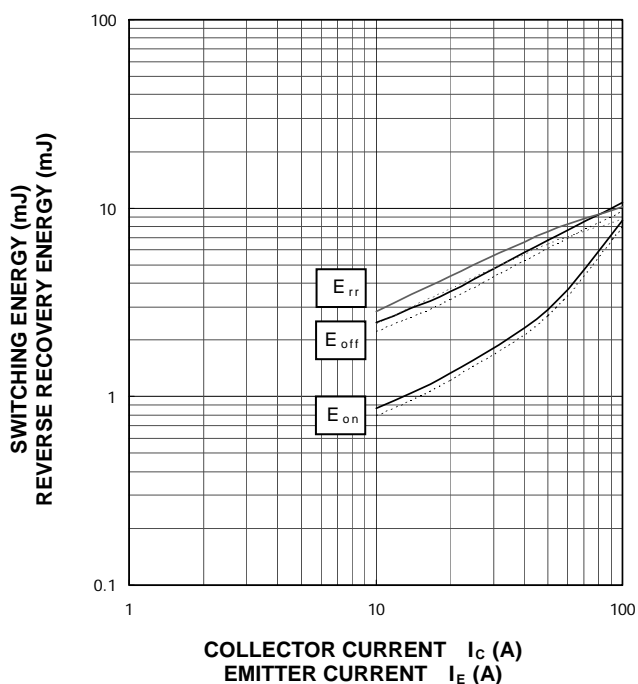
HALF-BRIDGE  
SWITCHING CHARACTERISTICS  
(TYPICAL)

$V_{CC}=600\text{ V}$ ,  $V_{GE}=\pm 15\text{ V}$ ,  $I_C=100\text{ A}$ , INDUCTIVE LOAD  
—:  $T_j=150\text{ }^\circ\text{C}$ , - - - -:  $T_j=125\text{ }^\circ\text{C}$



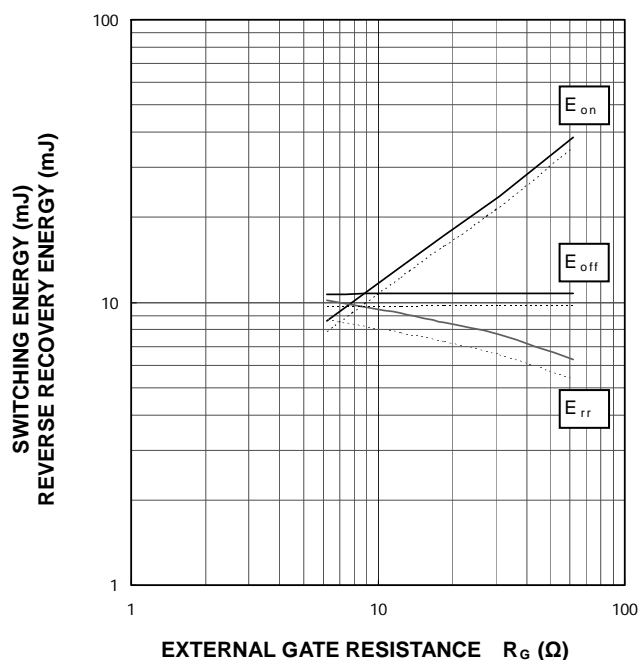
HALF-BRIDGE  
SWITCHING CHARACTERISTICS  
(TYPICAL)

$V_{CC}=600\text{ V}$ ,  $V_{GE}=\pm 15\text{ V}$ ,  $R_G=6.2\ \Omega$ ,  
INDUCTIVE LOAD, PER PULSE  
—:  $T_j=150\text{ }^\circ\text{C}$ , - - - -:  $T_j=125\text{ }^\circ\text{C}$



HALF-BRIDGE  
SWITCHING CHARACTERISTICS  
(TYPICAL)

$V_{CC}=600\text{ V}$ ,  $V_{GE}=\pm 15\text{ V}$ ,  $I_C=100\text{ A}$ ,  
INDUCTIVE LOAD, PER PULSE  
—:  $T_j=150\text{ }^\circ\text{C}$ , - - - -:  $T_j=125\text{ }^\circ\text{C}$



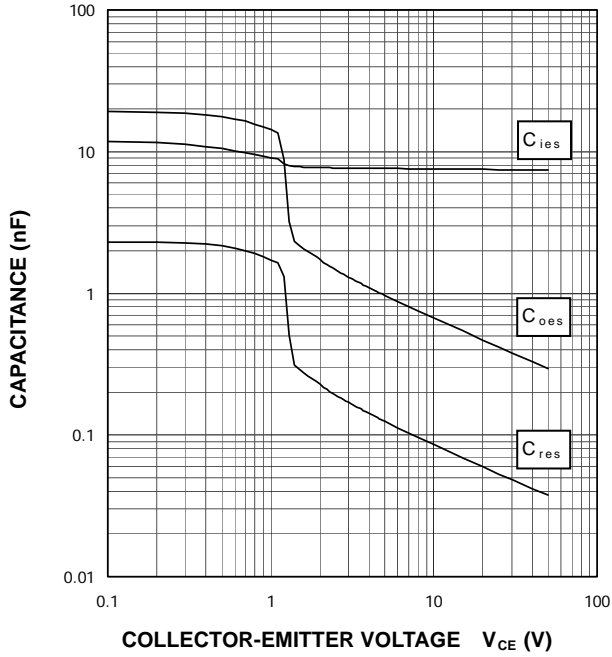
< IGBT MODULES >  
**CM100MXA-24S**  
 HIGH POWER SWITCHING USE  
 INSULATED TYPE

**PERFORMANCE CURVES**

**INVERTER PART**

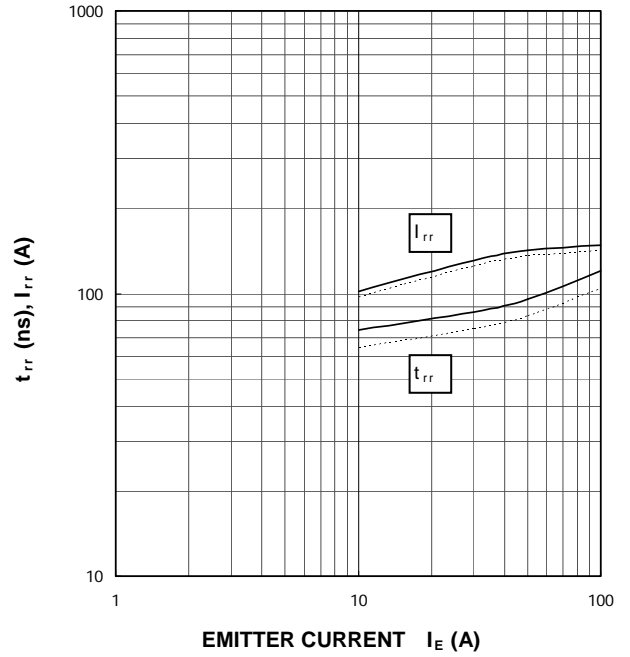
**CAPACITANCE CHARACTERISTICS  
 (TYPICAL)**

G-E short-circuited,  $T_j=25\text{ }^\circ\text{C}$



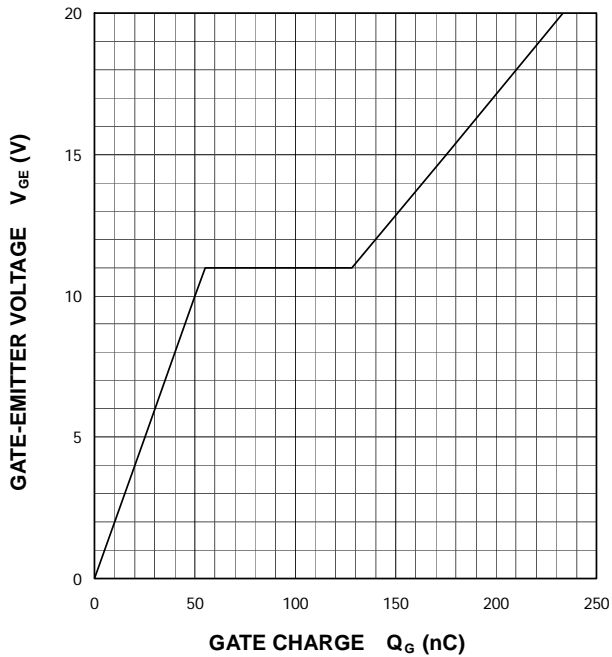
**FREE WHEELING DIODE  
 REVERSE RECOVERY CHARACTERISTICS  
 (TYPICAL)**

$V_{CC}=600\text{ V}$ ,  $V_{GE}=\pm 15\text{ V}$ ,  $R_G=6.2\ \Omega$ ,  
 —:  $T_j=150\text{ }^\circ\text{C}$ , - - - -:  $T_j=125\text{ }^\circ\text{C}$



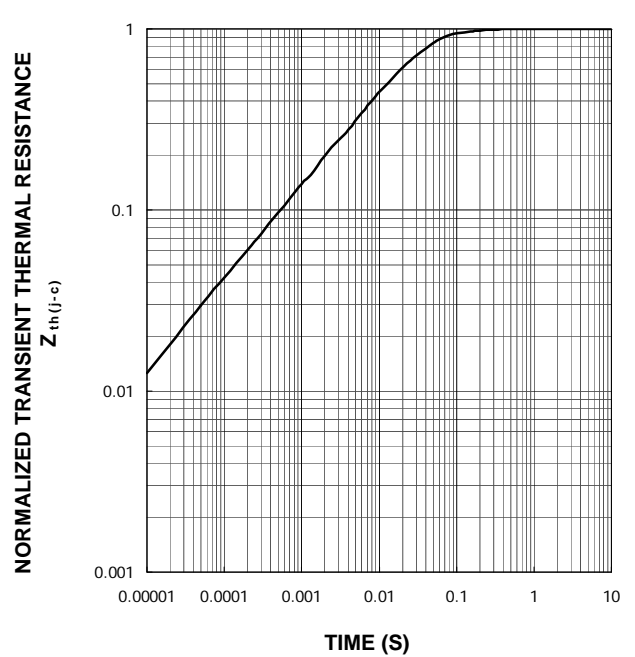
**GATE CHARGE CHARACTERISTICS  
 (TYPICAL)**

$V_{CC}=600\text{ V}$ ,  $I_C=100\text{ A}$ ,  $T_j=25\text{ }^\circ\text{C}$



**TRANSIENT THERMAL IMPEDANCE CHARACTERISTICS  
 (MAXIMUM)**

Single pulse,  $T_C=25\text{ }^\circ\text{C}$   
 $R_{th(j-c)Q}=0.20\text{ K/W}$ ,  $R_{th(j-c)D}=0.29\text{ K/W}$



< IGBT MODULES >

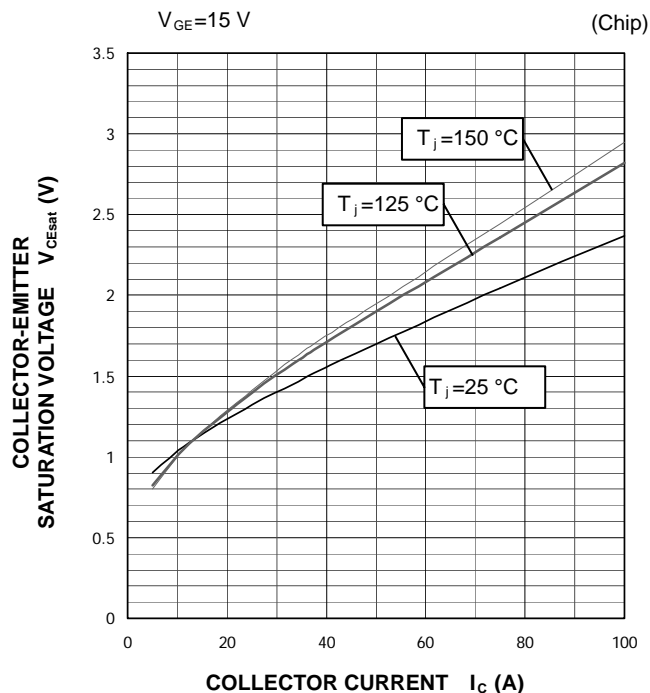
CM100MXA-24S

HIGH POWER SWITCHING USE  
INSULATED TYPE

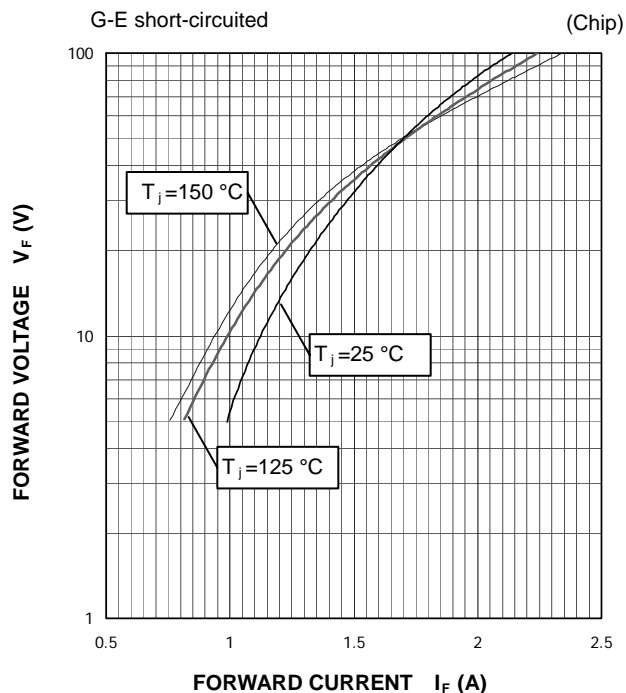
PERFORMANCE CURVES

BRAKE PART

COLLECTOR-EMITTER SATURATION  
VOLTAGE CHARACTERISTICS  
(TYPICAL)

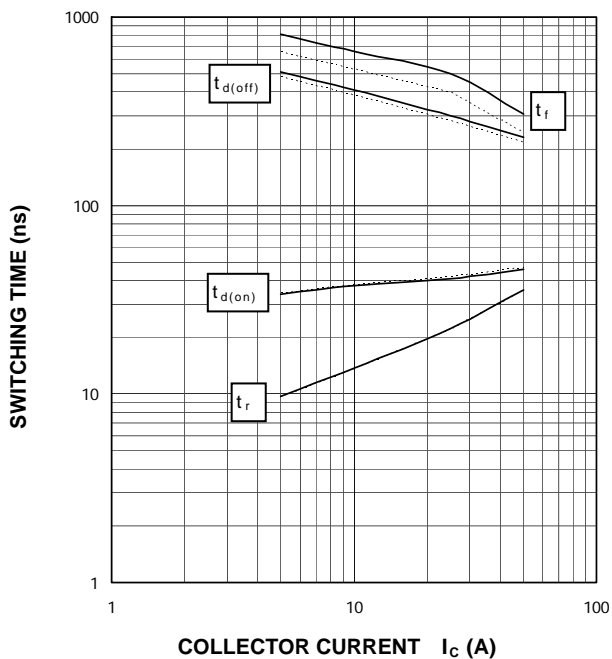


CLAMP DIODE  
FORWARD CHARACTERISTICS  
(TYPICAL)



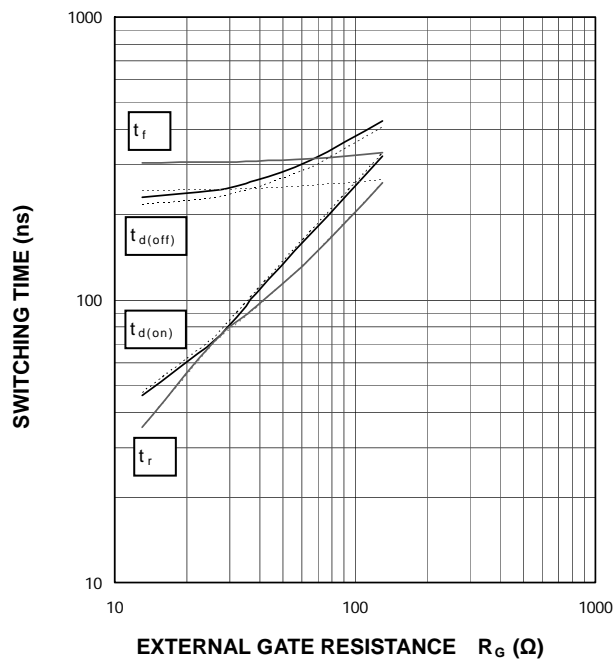
HALF-BRIDGE  
SWITCHING CHARACTERISTICS  
(TYPICAL)

$V_{CC} = 600 \text{ V}$ ,  $V_{GE} = \pm 15 \text{ V}$ ,  $R_G = 13 \Omega$ , INDUCTIVE LOAD  
—:  $T_j = 150 \text{ }^\circ\text{C}$ , - - - -:  $T_j = 125 \text{ }^\circ\text{C}$



HALF-BRIDGE  
SWITCHING CHARACTERISTICS  
(TYPICAL)

$V_{CC} = 600 \text{ V}$ ,  $I_C = 50 \text{ A}$ ,  $V_{GE} = \pm 15 \text{ V}$ , INDUCTIVE LOAD  
—:  $T_j = 150 \text{ }^\circ\text{C}$ , - - - -:  $T_j = 125 \text{ }^\circ\text{C}$



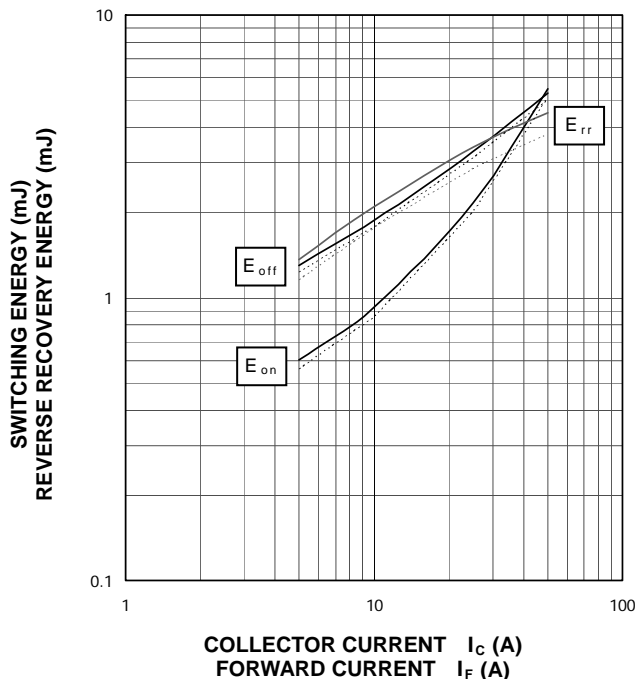
< IGBT MODULES >  
**CM100MXA-24S**  
 HIGH POWER SWITCHING USE  
 INSULATED TYPE

**PERFORMANCE CURVES**

**BRAKE PART**

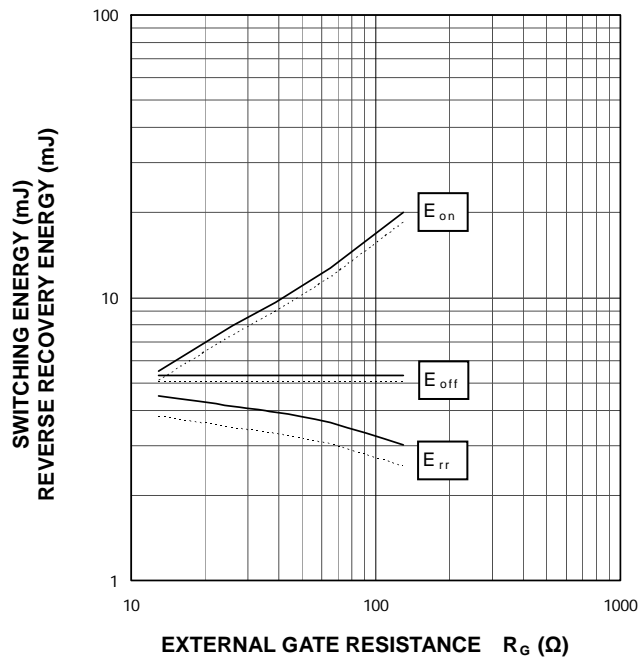
**HALF-BRIDGE SWITCHING CHARACTERISTICS (TYPICAL)**

$V_{CC}=600\text{ V}$ ,  $V_{GE}=\pm 15\text{ V}$ ,  $R_G=13\ \Omega$ ,  
 INDUCTIVE LOAD, PER PULSE  
 —:  $T_j=150\text{ }^\circ\text{C}$ , - - - - -:  $T_j=125\text{ }^\circ\text{C}$



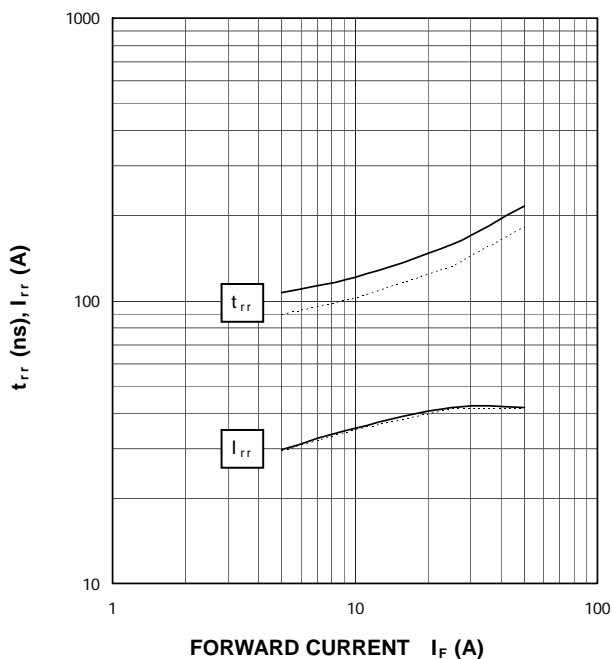
**HALF-BRIDGE SWITCHING CHARACTERISTICS (TYPICAL)**

$V_{CC}=600\text{ V}$ ,  $I_C/I_F=50\text{ A}$ ,  $V_{GE}=\pm 15\text{ V}$ ,  
 INDUCTIVE LOAD, PER PULSE  
 —:  $T_j=150\text{ }^\circ\text{C}$ , - - - - -:  $T_j=125\text{ }^\circ\text{C}$



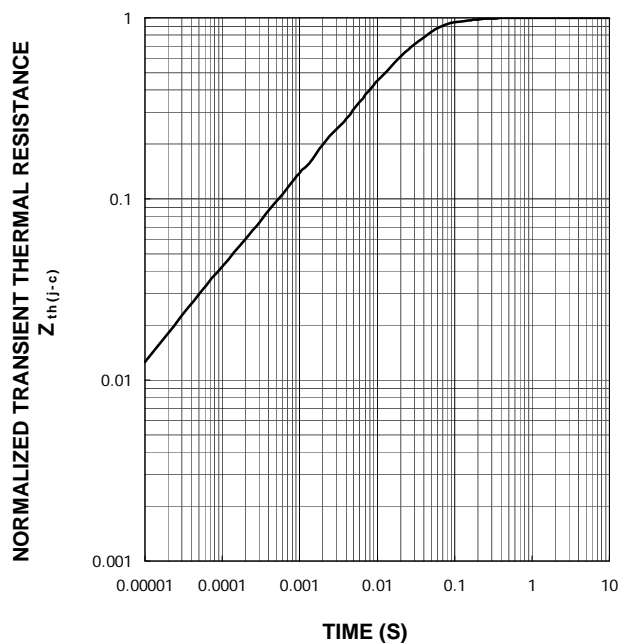
**CLAMP DIODE REVERSE RECOVERY CHARACTERISTICS (TYPICAL)**

$V_{CC}=600\text{ V}$ ,  $V_{GE}=\pm 15\text{ V}$ ,  $R_G=13\ \Omega$ , INDUCTIVE LOAD  
 —:  $T_j=150\text{ }^\circ\text{C}$ , - - - - -:  $T_j=125\text{ }^\circ\text{C}$



**TRANSIENT THERMAL IMPEDANCE CHARACTERISTICS (MAXIMUM)**

Single pulse,  $T_C=25\text{ }^\circ\text{C}$   
 $R_{th(j-c)Q}=0.35\text{ K/W}$ ,  $R_{th(j-c)D}=0.63\text{ K/W}$

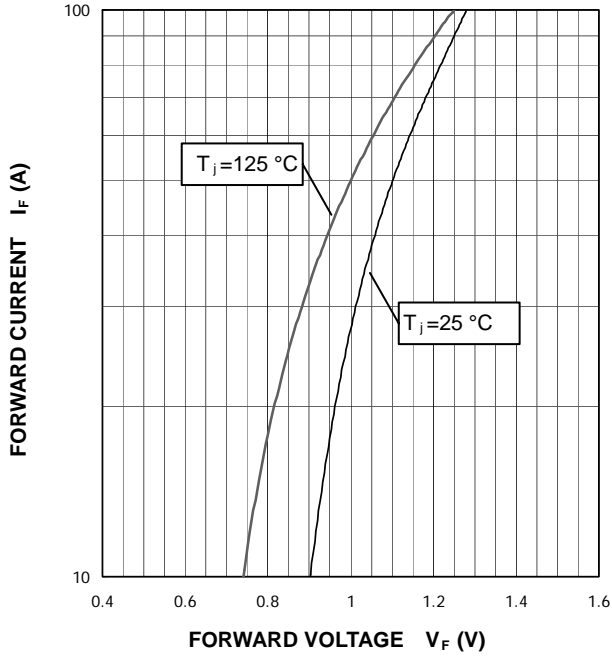


< IGBT MODULES >  
**CM100MXA-24S**  
 HIGH POWER SWITCHING USE  
 INSULATED TYPE

**PERFORMANCE CURVES**

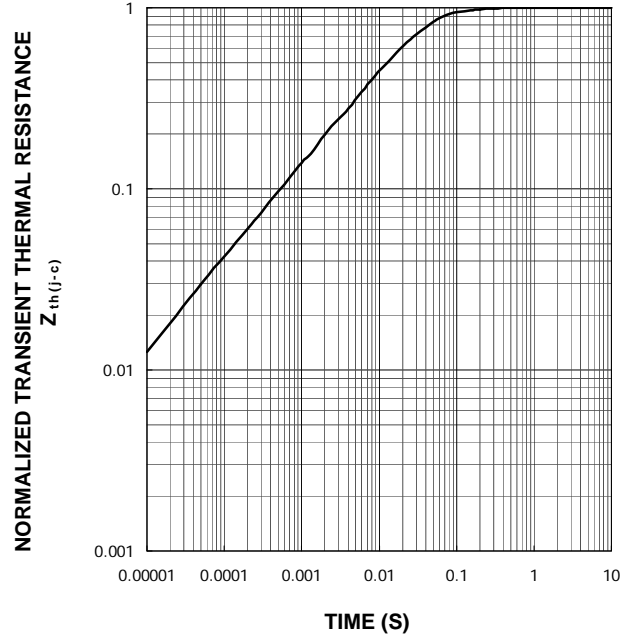
**CONVERTER PART**

**CONVERTER DIODE  
 FORWARD CHARACTERISTICS  
 (TYPICAL)**



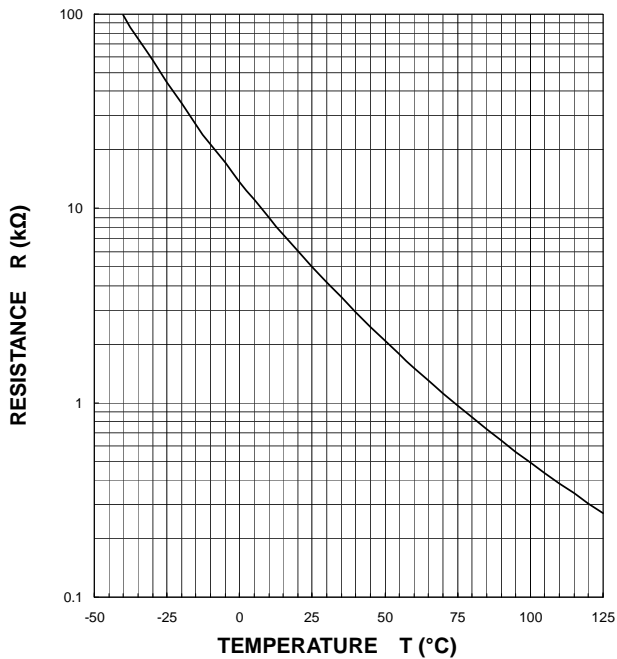
**TRANSIENT THERMAL IMPEDANCE CHARACTERISTICS  
 (MAXIMUM)**

Single pulse,  $T_c = 25\text{ °C}$   
 $R_{th(j-c)D} = 0.24\text{ K/W}$



**NTC thermistor part**

**TEMPERATURE CHARACTERISTICS  
 (TYPICAL)**



## **Important Notice**

The information contained in this datasheet shall in no event be regarded as a guarantee of conditions or characteristics. This product has to be used within its specified maximum ratings, and is subject to customer's compliance with any applicable legal requirement, norms and standards.

Except as otherwise explicitly approved by Mitsubishi Electric Corporation in a written document signed by authorized representatives of Mitsubishi Electric Corporation, our products may not be used in any applications where a failure of the product or any consequences of the use thereof can reasonably be expected to result in personal injury.

In usage of power semiconductor, there is always the possibility that trouble may occur with them by the reliability lifetime such as Power Cycle, Thermal Cycle or others, or when used under special circumstances (e.g. condensation, high humidity, dusty, salty, highlands, environment with lots of organic matter / corrosive gas / explosive gas, or situations which terminals of semiconductor products receive strong mechanical stress). Therefore, please pay sufficient attention to such circumstances. Further, depending on the technical requirements, our semiconductor products may contain environmental regulation substances, etc. If there is necessity of detailed confirmation, please contact our nearest sales branch or distributor.

The contents or data contained in this datasheet are exclusively intended for technically trained staff. Customer's technical departments should take responsibility to evaluate the suitability of Mitsubishi Electric Corporation product for the intended application and the completeness of the product data with respect to such application. In the customer's research and development, please evaluate it not only with a single semiconductor product but also in the entire system, and judge whether it's applicable. As required, pay close attention to the safety design by installing appropriate fuse or circuit breaker between a power supply and semiconductor products to prevent secondary damage. Please also pay attention to the application note and the related technical information.

## **Keep safety first in your circuit designs!**

Mitsubishi Electric Corporation puts the maximum effort into making semiconductor products better and more reliable, but there is always the possibility that trouble may occur with them. Trouble with semiconductors may lead to personal injury, fire or property damage. Remember to give due consideration to safety when making your circuit designs, with appropriate measures such as (i) placement of substitutive, auxiliary circuits, (ii) use of non-flammable material or (iii) prevention against any malfunction or mishap.

## **Notes regarding these materials**

- These materials are intended as a reference to assist our customers in the selection of the Mitsubishi Electric Semiconductor product best suited to the customer's application; they do not convey any license under any intellectual property rights, or any other rights, belonging to Mitsubishi Electric Corporation or a third party.
- Mitsubishi Electric Corporation assumes no responsibility for any damage, or infringement of any third-party's rights, originating in the use of any product data, diagrams, charts, programs, algorithms, or circuit application examples contained in these materials.
- All information contained in these materials, including product data, diagrams, charts, programs and algorithms represents information on products at the time of publication of these materials, and are subject to change by Mitsubishi Electric Corporation without notice due to product improvements or other reasons. It is therefore recommended that customers contact Mitsubishi Electric Corporation or an authorized Mitsubishi Electric Semiconductor product distributor for the latest product information before purchasing a product listed herein.  
The information described here may contain technical inaccuracies or typographical errors. Mitsubishi Electric Corporation assumes no responsibility for any damage, liability, or other loss rising from these inaccuracies or errors.  
Please also pay attention to information published by Mitsubishi Electric Corporation by various means, including the Mitsubishi Electric Semiconductor home page (<http://www.MitsubishiElectric.com/semiconductors/>).
- When using any or all of the information contained in these materials, including product data, diagrams, charts, programs, and algorithms, please be sure to evaluate all information as a total system before making a final decision on the applicability of the information and products. Mitsubishi Electric Corporation assumes no responsibility for any damage, liability or other loss resulting from the information contained herein.
- Mitsubishi Electric Corporation semiconductors are not designed or manufactured for use in a device or system that is used under circumstances in which human life is potentially at stake. Please contact Mitsubishi Electric Corporation or an authorized Mitsubishi Electric Semiconductor product distributor when considering the use of a product contained herein for any specific purposes, such as apparatus or systems for transportation, vehicular, medical, aerospace, nuclear, or undersea repeater use.
- The prior written approval of Mitsubishi Electric Corporation is necessary to reprint or reproduce in whole or in part these materials.
- If these products or technologies are subject to the Japanese export control restrictions, they must be exported under a license from the Japanese government and cannot be imported into a country other than the approved destination.  
Any diversion or re-export contrary to the export control laws and regulations of Japan and/or the country of destination is prohibited.
- Please contact Mitsubishi Electric Corporation or an authorized Mitsubishi Electric Semiconductor product distributor for further details on these materials or the products contained therein.

Generally the listed company name and the brand name are the trademarks or registered trademarks of the respective companies.